

Endscheibenvariante: Flachdichtend



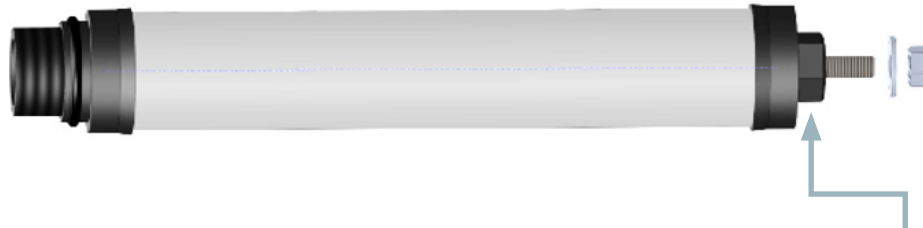
Spindel				Elementtyp	Mutter			
lbf ft	lbf in	kpm	Nm		lbf ft	lbf in	kpm	Nm
				Coalescer Elemente				
25	300	3,50	34	A.1-xxx, A.3-xxx, A.4-xxx	17	200	2,30	22
25	300	3,50	34	D.1-xxx	17	200	2,30	22
25	300	3,50	34	DC.1-xxx, DC.4-xxx	17	200	2,30	22
25	300	3,50	34	FDC-6xx-x	11	140	1,60	15
25	300	3,50	34	FMC.4-xxx	17	200	2,30	22
25	300	3,50	34	K.1-xxx, K.1-xxx, K.4-xxx	17	200	2,30	22
25	300	3,50	34	MIL.1-xxx, MIL.3-xxx, MIL.4-xxx	17	200	2,30	22
25	300	3,50	34	P.1-xxx, P.3-xxx, P.4-xxx	17	200	2,30	22
25	300	3,50	34	Y.1-xxx, Y.3-xxx, Y.4-xxx	17	200	2,30	22
				Separator Elemente				
25	300	3,50	34	60.6C4 6C8 4C4 3C1	5	62	0,71	7
25	300	3,50	34	60.644 648 649 655 444	11	140	1,60	15
25	300	3,50	34	60.6C4 6C8 4C4 (MIL)	5	62	0,71	7
25	300	3,50	34	60.644 648 649 655 (MIL)	11	140	1,60	15
25	300	3,50	34	60.444 3C1 (MIL)	5	62	0,71	7
25	300	3,50	34	FDS-6xx-x	11	140	1,60	15
				Mikrofilter Elemente				
25	300	3,50	34	x.4-xxx (4")	11	140	1,60	15
25	300	3,50	34	x.4-xxx (6")	17	200	2,30	22
25	300	3,50	34	IPMF2.4-xxx	17	200	2,30	22
25	300	3,50	34	EIMF1.4-xxx	17	200	2,30	22
25	300	3,50	34	FDf-6xx-x	11	140	1,60	15
				Filtermonitore				
25	300	3,50	34	MO6.1-xxx, MO6.3-xxx, MO6.4-xxx	17	200	2,30	22
25	300	3,50	34	MI6.1-xxx, MI6.3-xxx, MI6.4-xxx	17	200	2,30	22
25	300	3,50	34	MO5.A-xxx	11	140	1,60	15
25	300	3,50	34	FDA-6xx-x	11	140	1,60	15

Endscheibenvariante: Schraub-/Gewindefassung



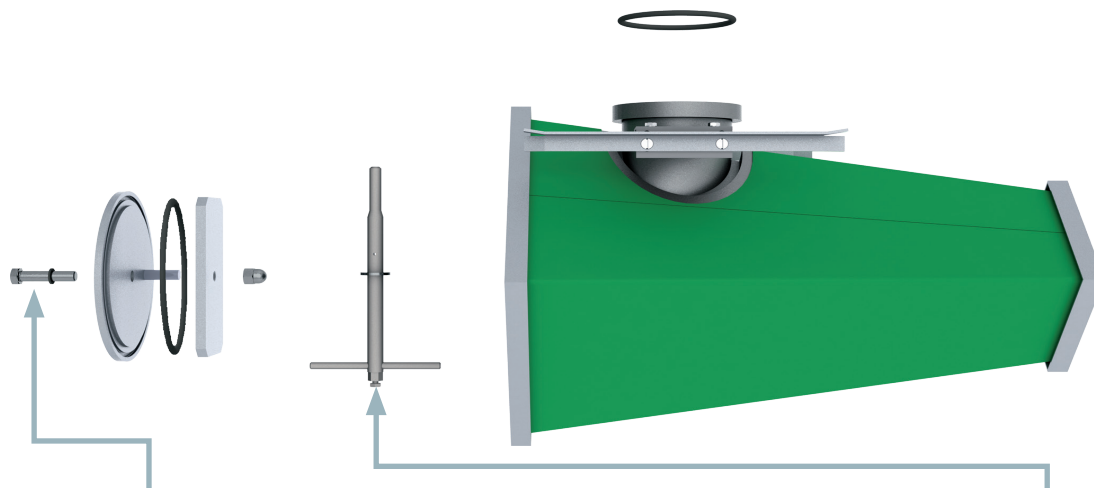
Schraube				Elementtyp	Element			
lbf ft	lbf in	kpm	Nm		lbf ft	lbf in	kpm	Nm
				Coalescer Elemente				
17	200	2,30	22	DC.7-xxx	20	240	2,80	27
17	200	2,30	22	FDC-6xx-xTB	20	240	2,80	27
17	200	2,30	22	K.7-xxx	20	240	2,80	27
17	200	2,30	22	MIL.7-xxx	20	240	2,80	27
17	200	2,30	22	P.7-xxx	20	240	2,80	27
17	200	2,30	22	Y.7-xxx	20	240	2,80	27
				Separator Elemente				
17	200	2,30	22	60.677	11	140	1,60	15
17	200	2,30	22	60.677 (MIL)	11	140	1,60	15
17	200	2,30	22	FDS-6xx-xTB	11	140	1,60	15
				Mikrofilter Elemente				
17	200	2,30	22	x.7-xxx (6")	20	240	2,80	27
17	200	2,30	22	IPMFx.7-xxx	20	240	2,80	27
17	200	2,30	22	EIMF1.7-xxx	20	240	2,80	27
				Filtermonitore				
17	200	2,30	22	MO6.7-xxx	20	240	2,80	27
17	200	2,30	22	MI6.7-xxx	20	240	2,80	27

Endscheibenvariante: Schraub-/Gewindefassung



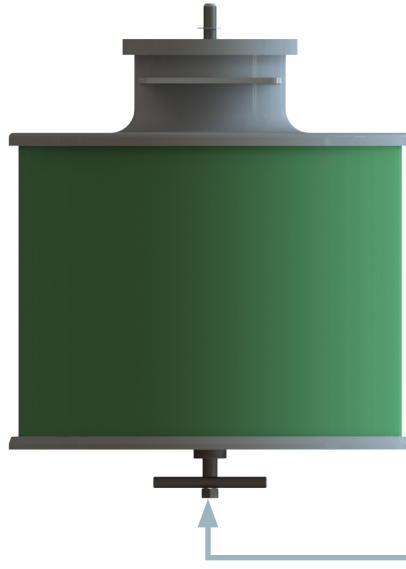
Elementtyp	Element			
	lbf ft	lbf in	kpm	Nm
Coalescer Elemente				
P2.1-xxx	5	62	0,71	7
MIL2.1-xxx	5	62	0,71	7

Separator Element Typ FW6/FW6-T



Schraube				Behältertyp	Spindel			
lbf ft	lbf in	kpm	Nm		lbf ft	lbf in	kpm	Nm
				FW6/FW6-T				
5	62	0,71	7	FW6-2 / FW6-T-2	11	133	1,53	34
5	62	0,71	7	FW6-3 / FW6-T-3	11	133	1,53	34
5	62	0,71	7	FW6-4 / FW6-T-4	11	133	1,53	34
5	62	0,71	7	FW6-5 / FW6-T-5	11	133	1,53	34
5	62	0,71	7	FW6-7 / FW6-T-7	11	133	1,53	34
5	62	0,71	7	FW6-8 / FW6-T-8	11	133	1,53	34
5	62	0,71	7	FW6-9 / FW6-T-9	11	133	1,53	34
5	62	0,71	7	FW6-11 / FW6-T-11	11	133	1,53	34
5	62	0,71	7	FW6-13 / FW6-T-13	11	133	1,53	34

Separator Element Typ FWE/FWE-T



Behältertyp	Spindel			
	lbf ft	lbf in	kpm	Nm
FWE- / FWE-T	11	133	1,53	34
FWE- / FWE-T	11	133	1,53	34
FWE- / FWE-T	11	133	1,53	34
FWE- / FWE-T	11	133	1,53	34
FWE- / FWE-T	11	133	1,53	34
FWE- / FWE-T	11	133	1,53	34
FWE- / FWE-T	11	133	1,53	34
FWE- / FWE-T	11	133	1,53	34
FWE- / FWE-T	11	133	1,53	34